

ROUND JET DIFFUSERS

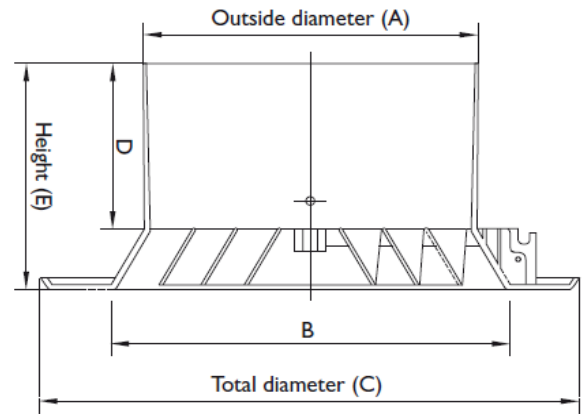


The Polyaire Roundjet is designed to jet the airflow right down to the floor which aids in mixing and circulating the air.

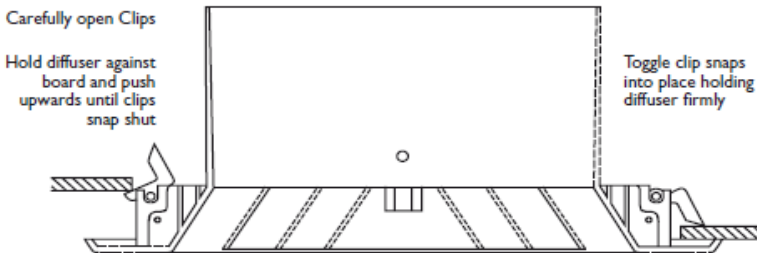
It is particularly efficient for rooms with higher ceilings and stairwells where a stronger more direct flow is required to get to the floor level and mix properly.

FEATURES

- Flush mounting
- Easy clean non reflective white surface
- 2 sizes, 150mm & 200mm
- Fully adjustable flow from complete shut off to fully open
- Constructed from ABS for long term strength and stability



Dimensions (mm)					
Item Number	A	B	C	D	E
235446	146	170	240	75	100
235447	195	225	290	95	120

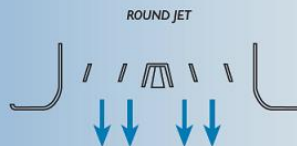


Operation of toggle clips



THE ROUND JET

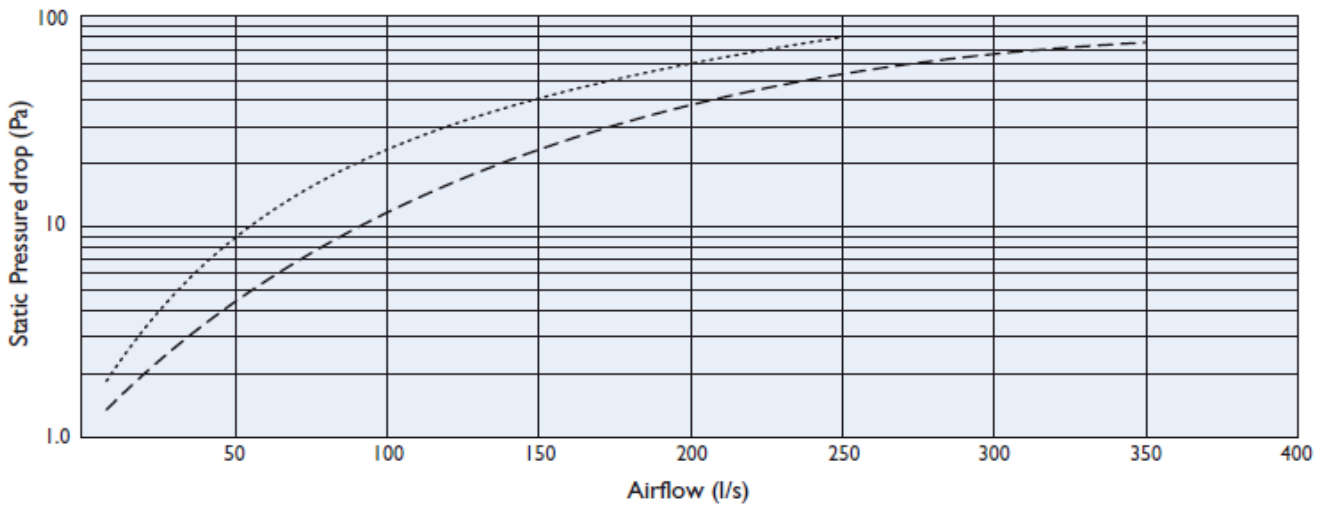
Designed to throw air downward in a column and is very useful for high ceilings and stairwells where it is necessary to push air a long way. Easily adjustable airflow:



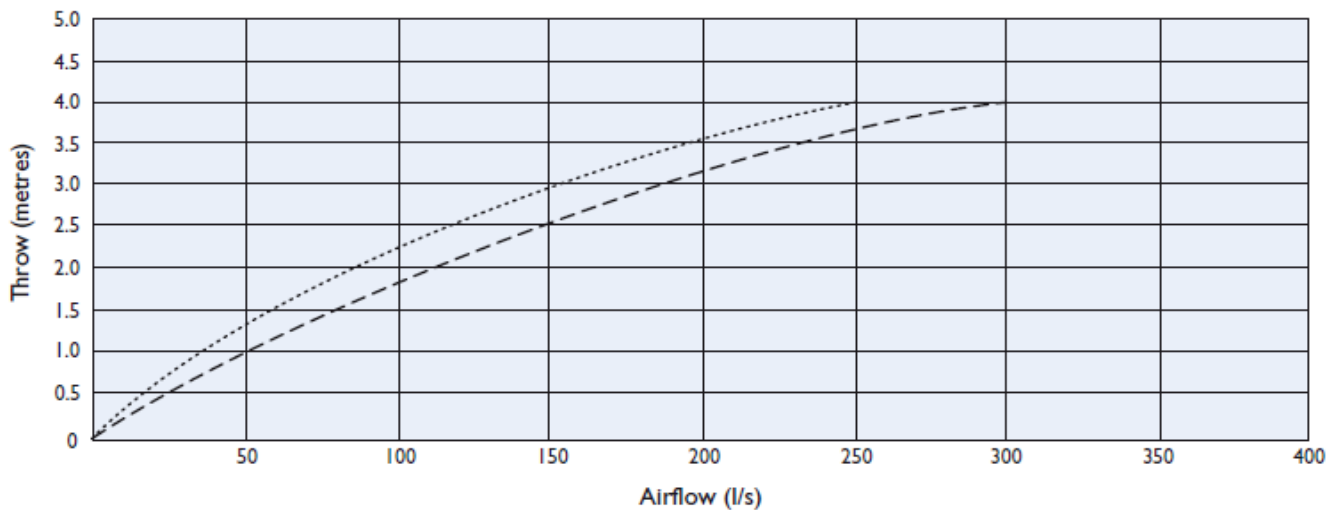
POLYAIRE UK
Units 3 & 4, Torridge Close,
Telford Way Business Park,
Kettering, Northants,
ENGLAND, NN16 8PY
Telephone: 01536 519922
sales@polyaire.co.uk

polyaire UK
AIRCONDITIONING PRODUCTS
www.polyaire.co.uk

Polyaire Roundjet Engineering Data



Static pressure drop versus airflow



Throw versus airflow

POLYAIRE UK

Units 3 & 4, Torridge Close,
Telford Way Business Park,
Kettering, Northants,
ENGLAND, NN16 8PY
Telephone: 01536 519922
sales@polyaire.co.uk

Polyaire Roundjet



OPEN - MAXIMUM AIRFLOW
Operation - Push centre fitting & twist through 90°



CLOSED
Complete air flow shut off

POLYAIRE UK

Units 3 & 4, Torridge Close,
Telford Way Business Park,
Kettering, Northants,
ENGLAND, NN16 8PY
Telephone: 01536 519922
sales@polyaire.co.uk