

**ROUND DIFFUSERS**

*Model PCD*



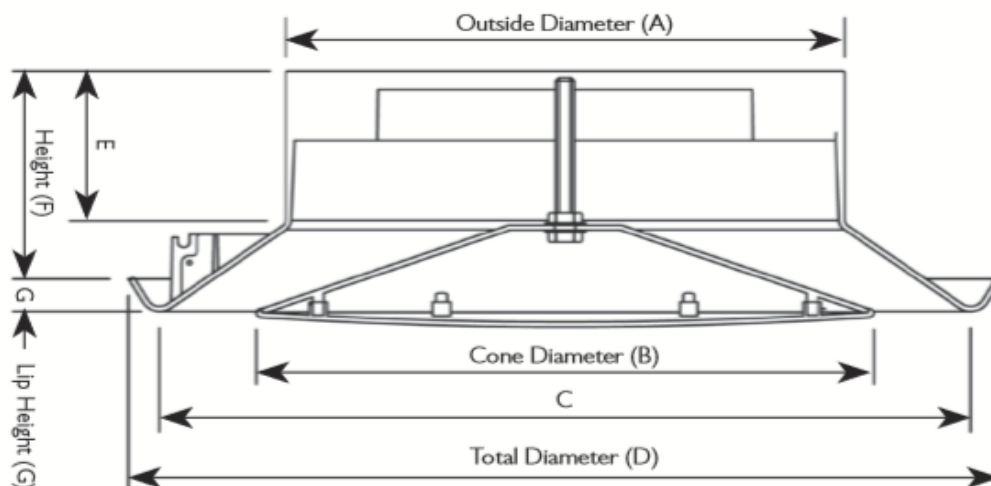
The Polyaire Round Ceiling Diffuser is manufactured from high impact **ABS** for long term strength and rigidity. It is fully adjustable by rotating the centre cone from total shutoff to fully open.

The standard colour is off-white, the outer surface is lightly etched to reduce reflection and fit unobtrusively with most decors. Available in 3 sizes, it allows for smooth quiet airflow that flows out in a concentric pattern across the ceiling, to provide good coverage in both cooling and most heating applications.

**APPLICATION SELECTOR**

	150	200	250	300
RESIDENTIAL	[Highly Recommended]			
COMMERCIAL	[Suitable]		[Highly Recommended]	
EXHAUST	[Not Recommended]			
REVERSE CYCLE	[Highly Recommended]			
EVAP COOLING	[Not Recommended]			
GAS HEATING	[Suitable]		[Highly Recommended]	

**CODE:**  
 HIGHLY RECOMMENDED  
 SUITABLE  
 NOT RECOMMENDED



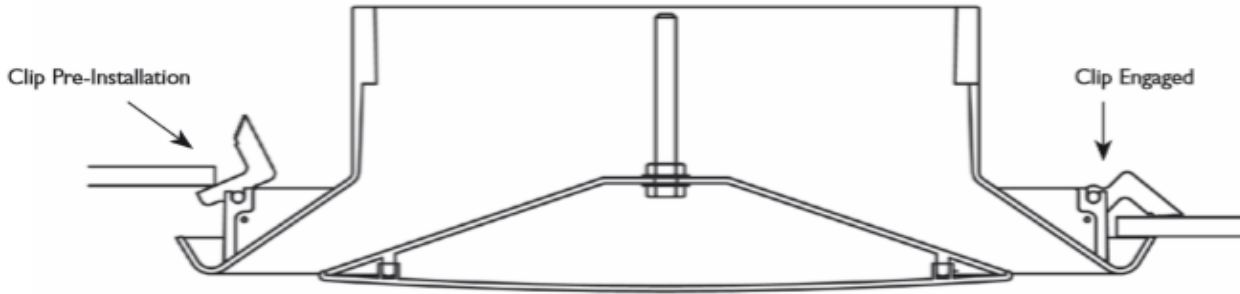
**Sizes Available / Dimensions**

Item Number	Description	A	B	C	D	E	F	G
235384	150mm diam Round Ceiling Diffuser	150	170	230	250	73	95	16
237100	200mm diam Round Ceiling Diffuser	200	225	294	318	75	95	17
237101	250mm diam Round Ceiling Diffuser	250	275	361	390	75	100	17
237102	300mm diam Round Ceiling Diffuser	300	326	411	441	70	103	17

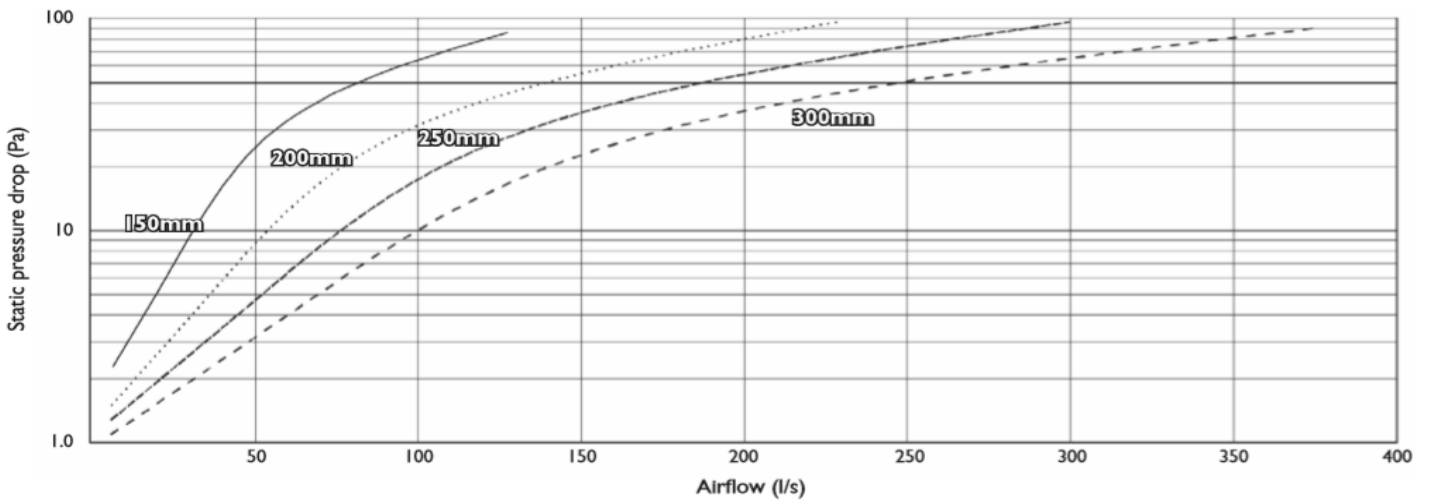
**POLYAIRE UK**

Units 3 & 4, Torridge Close,  
Telford Way Business Park,  
Kettering, Northants,  
ENGLAND, NN16 8PY  
Telephone: 01536 519922  
[sales@polyaire.co.uk](mailto:sales@polyaire.co.uk)

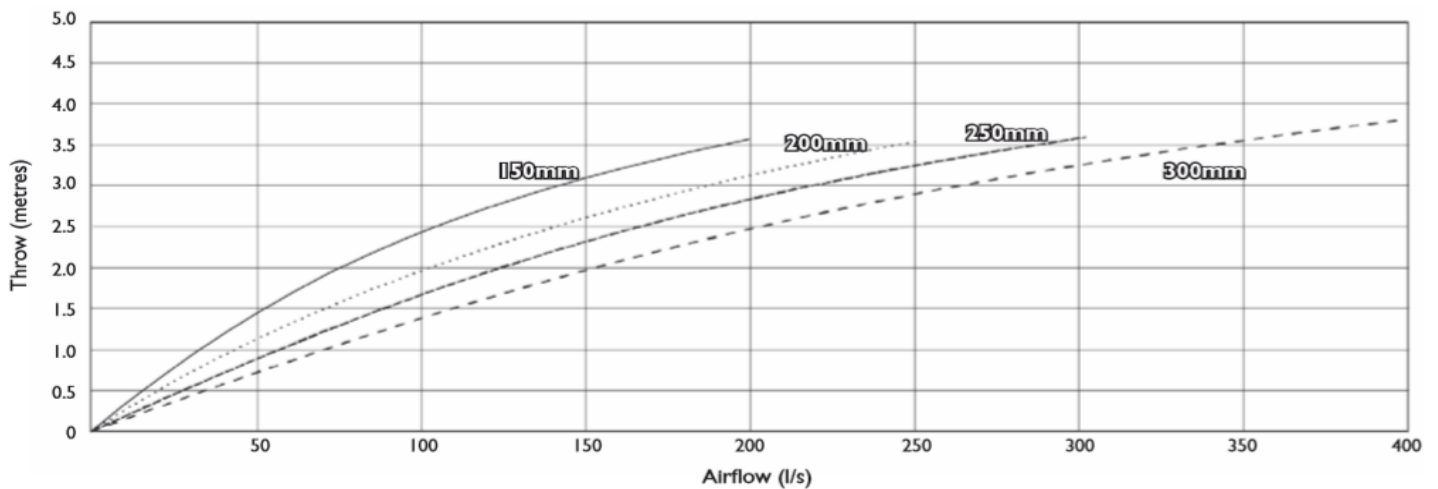
**PERFORMANCE DETAILS**



**Operation of toggle clips**



**Static pressure drop versus airflow**



**Throw versus airflow**