

MOTORISED INLINE DAMPER

Model: MBD



Motorised Inline Damper - Model MBD

Polyaire Motorised Inline Dampers are designed for motorised volume control adjustment in flexible duct runs.

Construction is from robust industrial plastic with provision for flexible duct connection on both sides.

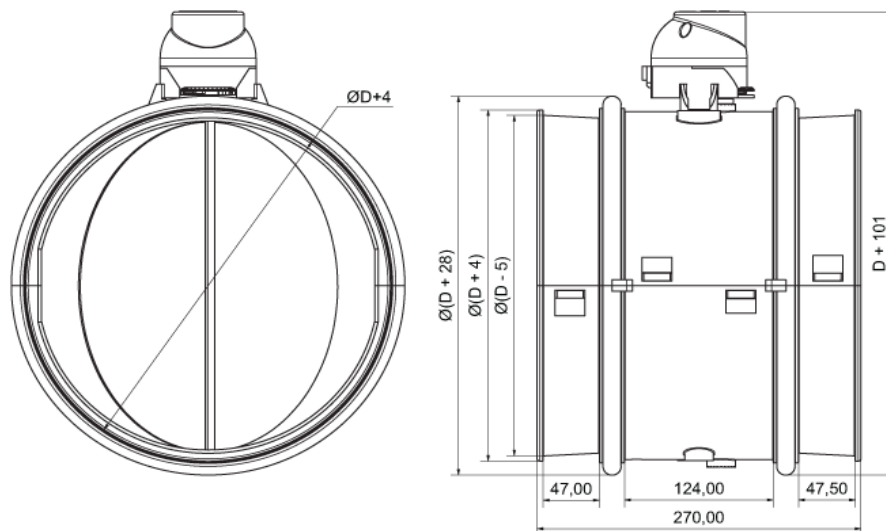
Features all metal shaft and motor (240v), with folded 'Hi Torque' metal blade for long life strength and durability.

2.4Nm (tested) to take large loads\velocities.

Comes as standard with White 240v motor (green 24v motor available).

Available Sizes: 150, 200, 250, 300, 350 & 400mm Diameter

MOTORISED INLINE DAMPER		
ITEM #	SIZE mm	MOTOR
532000	150mm	240v (White)
532001	200mm	240v (White)
532002	250mm	240v (White)
532003	300mm	240v (White)
532004	350mm	240v (White)
532005	400mm	240v (White)
532013	-	24v (Green)
532030	-	240v (White)



POLYAIRE UK

Units 3 & 4, Torridge Close,
Telford Way Business Park,
Kettering, Northants,
ENGLAND, NN16 8PY
Telephone: 01536 519922
sales@polyaire.co.uk

ZONEMASTER NEAT DAMPER MOTOR SPECIFICATIONS

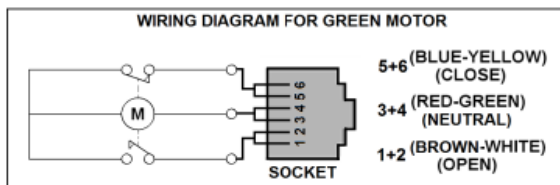
Damper Motor Type	Green	Yellow	White
Power Supply	24 V AC ±15%, 50Hz	24 V AC±15%, 50Hz	240 V AC±15%, 50Hz
Connection	RJ12 socket and plug	RJ12 socket and plug	Stripped wires
Output	1 RPM, 0-2.5Nm	1 RPM, 0-2.5Nm	1 RPM, 0-2.5Nm
Current Draw	<=210mA	<=210mA	<=21mA
Power consumption	<=5 w	<=5 w	<=5 w
Drive Open/Drive Close Time	15s/15s	15s/15s	15s/15s
Noise (SPL @0.3m)	<45 dB	<45 dB	<45 dB
Ambient Temperature	-10 ~+65° C	-10 ~+65° C	-10 ~+65° C
Ambient RH	<85%	<85%	<85%
Applications	All Zonemaster controllers except VAV, other 24VAC ON/OFF Zone control*	Only Zonemaster VAV	Via SPDT wall switch
Weight	0.37kg	0.37kg	0.37kg
Degree of Protection	IP21	IP21	IP21
Electrical Insulation Class	III (SELV)	III (SELV)	II(□)

* Drive Open / Drive Close when connected according to the wiring diagram as below.

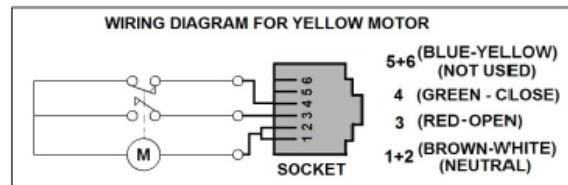
WIRING DIAGRAM:

Note: All colours in the brackets below are the wire colours if Zonemaster pre-made cables are used.

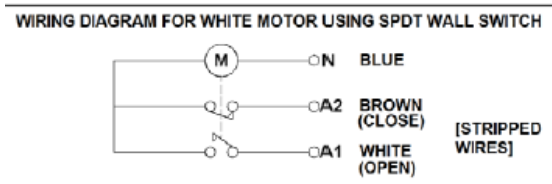
Green Motor:



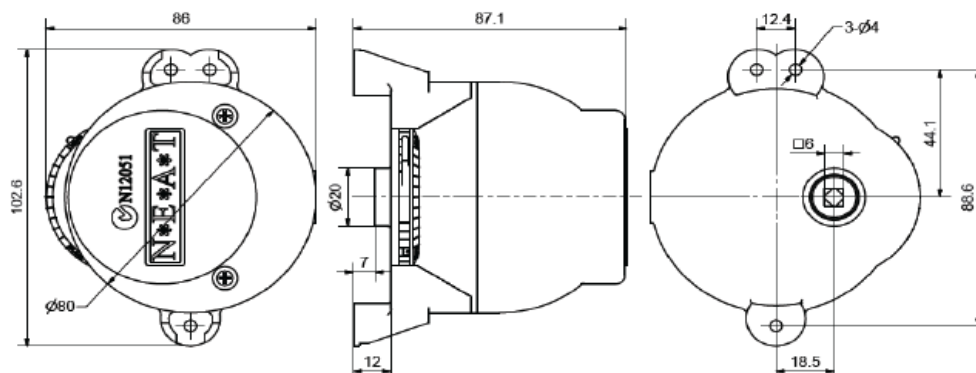
Yellow Motor:



White Motor:



DIMENSIONS:



POLYAIRE UK

Units 3 & 4, Torridge Close,
Telford Way Business Park,
Kettering, Northants,
ENGLAND, NN16 8PY
Telephone: 01536 519922
sales@polyaire.co.uk