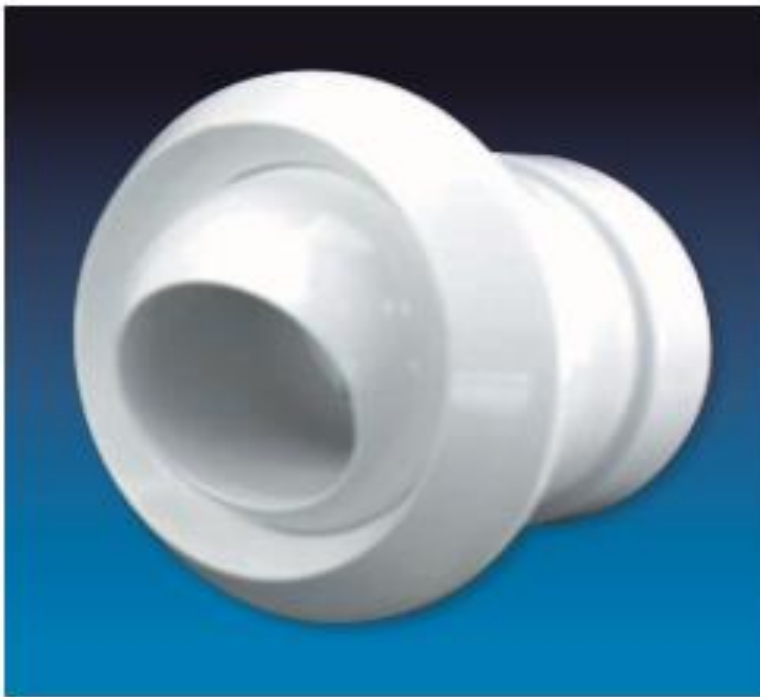


JET NOZZLE

Model: JNS



The nozzle and the decorative ring are manufactured in aluminium.

Powder-coated surface finish.

Available in standard colour RAL 9010 or 9016.

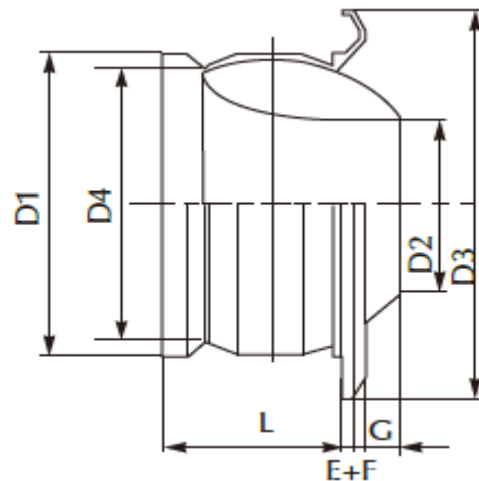
The connection part is made of galvanised steel sheet. Plastic mounting ring.

Long distance air supply with low noise level.

Used in superior places: concert hall, airport, theatre, museum etc.

Maximum working Temperature: 90°F

Do not exceed this.



Jet Nozzle (JNS)

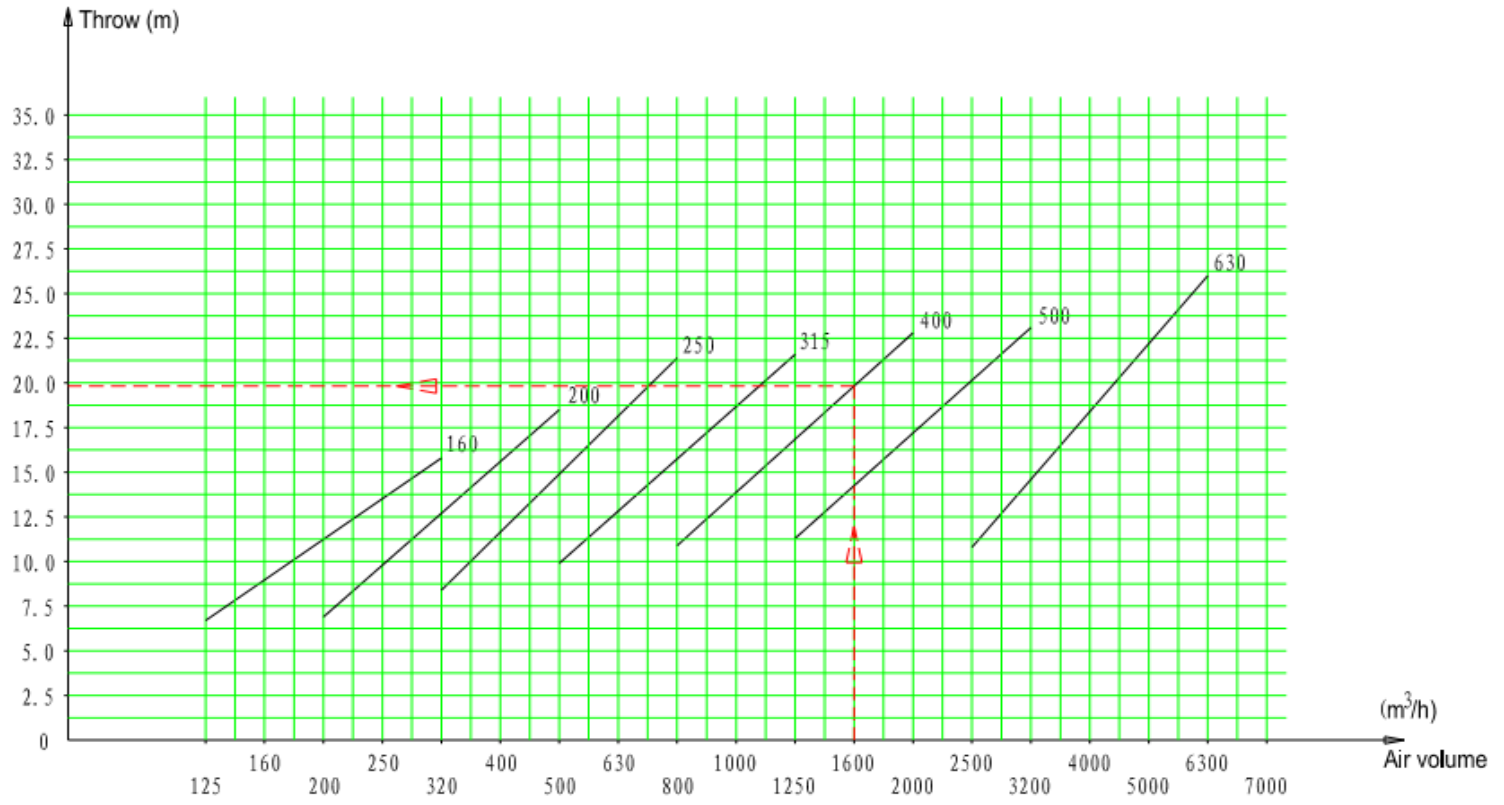
ITEM #	SIZE mm	D1	D3	D2	D4	L	E	F	G
210100	100	98	148	60	70	85	8	8	6
210125	125	123	170	64	90	80	8	7	8
210150	150	148	200	75	120	85	9	14	8
210160	160	158	210	85	130	98	9	14	8
210200	200	198	255	108	160	112	8	11	12
210250	250	248	301	136	208	143	10	15	13
210315	315	310	380	186	270	160	9	13	29
210400	400	396	467	230	350	182	11	11	55

POLYAIRE UK

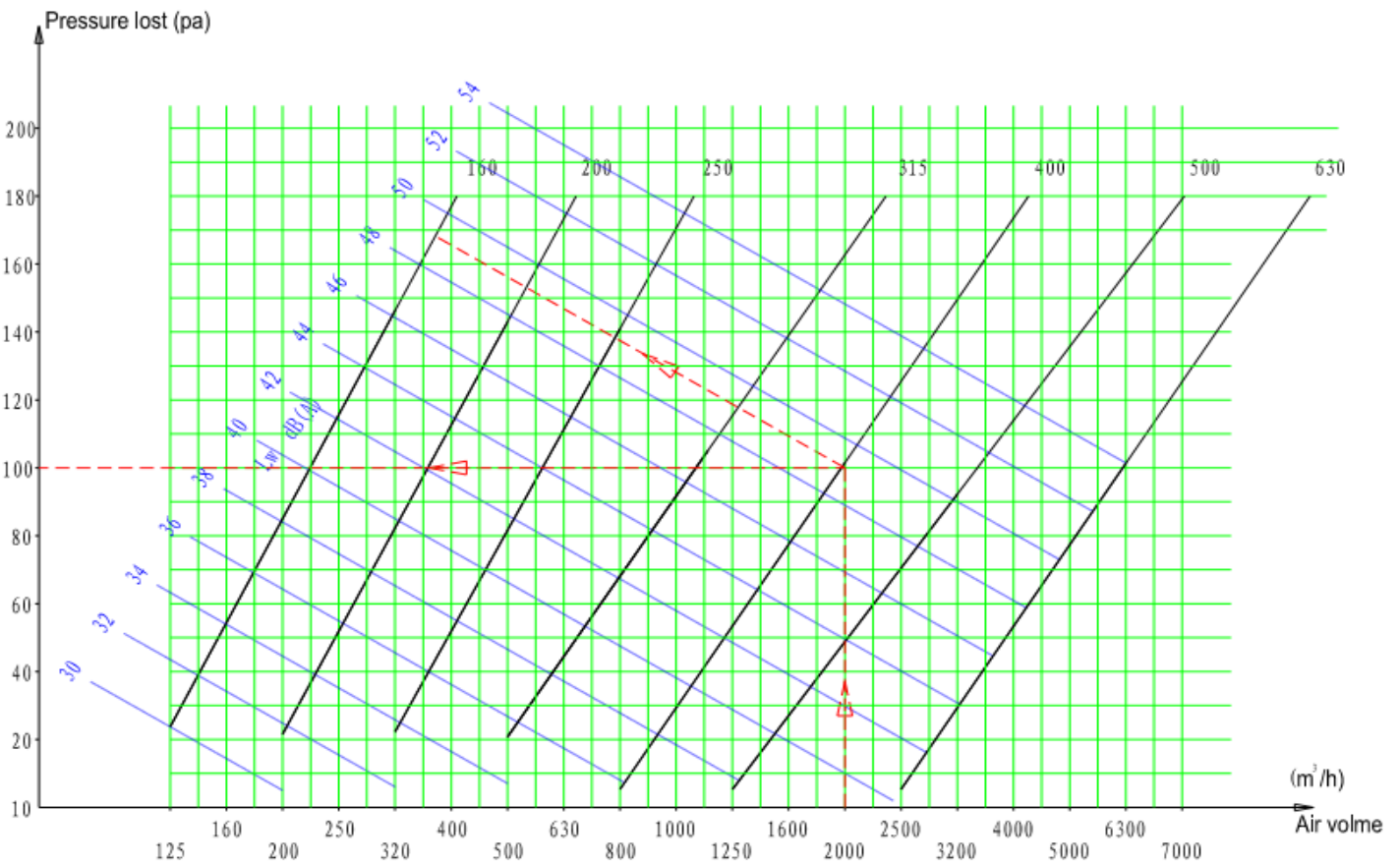
Units 3 & 4, Torridge Close,
Telford Way Business Park,
Kettering, Northants,
ENGLAND, NN16 8UW
Telephone: 01536 519922
sales@polyaire.co.uk

Technical Details

Size	Effective air area of air supply (m ²)	Air Volume (m ³ /h)	Pressure lost (Pa)	Noise dB(A)	Length of air stream for isothermal conditions Ln(m)	End Air Velocity (m/s)			
150	0.004	125	21	<20	6.5	0.5			
		160	45	22	8.5				
		200	55	26	10.7				
		250	110	35	13.4				
		320	140	48	16.2				
160	0.005	100	18.5	26	10.7	0.25			
		125	22.8	30	13.5				
		160	56	34	17.4				
		200	82	39	22.2				
		250	116	43	27.3				
		160	0.005	125	22.8	30	6.7	0.5	
				160	56	34	8.6		
				200	82	39	10.8		
				250	116	43	13.5		
				320	144	48	16.3		
200	0.009			160	10	30	12.7		0.25
				200	21	33	16		
		250	54	38	20				
		320	82	41	25.7				
		400	116	45	32.2				
		200	0.009	200	21	33	7.9	0.5	
				250	54	38	9.9		
				320	82	41	12.6		
				400	116	45	16		
				500	142	49	18.5		
250	0.0145	250	11	29	12.9	0.25			
		320	22	34	16.9				
		400	55	39	25.2				
		500	81	42	31.5				
		630	116	46	37.5				
		250	0.0145	320	22	34	8.4	0.5	
				400	55	39	12.5		
				500	81	42	15.6		
				630	116	46	18.6		
				800	142	50	21.4		
315	0.023	400	12.8	26	16	0.25			
		500	21	34	20				
		630	46	38	25				
		800	68	42	30.2				
		1000	94	46	37				
		315	0.023	500	21	34	9.9	0.5	
				630	46	38	12.5		
				800	68	42	15		
				1000	94	46	18.4		
				1250	148	50	21.6		
400	0.0415	630	8	32	17.6	0.25			
		800	17	36	22.2				
		1000	31	39	28.4				
		1250	58	43	34				
		1600	80	46	40				
		400	0.0415	800	17	28	10.9	0.5	
				1000	31	39	14		
				1250	58	43	16.8		
				1600	80	48	19.7		
				2000	102	49	22.8		



Curve of air volume and throw for JN-s Series(Vx=0.5m/s)



Curve of air volume ,pressure lost and noise for JN-s Series(Vx=0.5m/s)