

Fixed Vane Swirl Diffuser - Circular

Model RSW



The Polyaire Fixed Vane Swirl Diffusers are an attractive and aerodynamically efficient alternative to conventional circular ceiling air terminals. The diffusers are designed to produce a horizontal, radial air pattern with a turbulent, high induction jet characteristic and are ideally suited for applications with high heating or cooling differentials.

Manufactured from zintec sheet

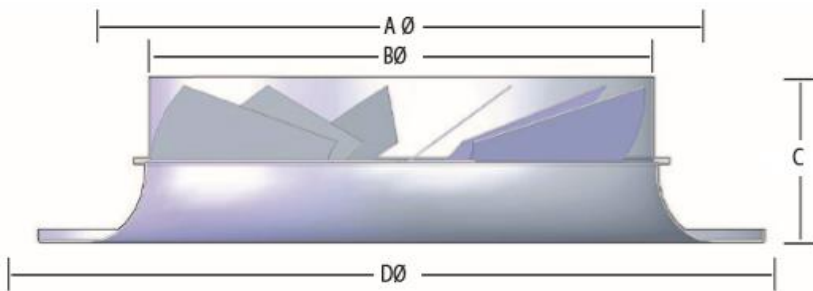
Standard finish RAL 9010

Also available in Mill Finish

Other RAL colours available to your requirements.

Non-stock item / Made to order

RSW - Circular



Item #	Size	A	B	C	D
247555	150 /160	215	157	70	245
247556	200	265	197	70	300
247557	250	320	247	75	350
247558	315	415	312	75	450
247559	355	480	352	90	515
247560	400	525	397	95	560
Non-Stock	450	565	447	95	600
Non-Stock	630	765	627	95	800

POLYAIRE UK

Units 3 & 4, Torridge Close,
Telford Way Business Park,
Kettering, Northants,
ENGLAND, NN16 8PY
Telephone: 01536 519922
sales@polyaire.co.uk

polyaire UK
AIRCONDITIONING PRODUCTS
www.polyaire.co.uk

PERFORMANCE DETAILS

Size		20	30	40	50	60	70	80
160 DIA	L/s	20	30	40	50	60	70	80
	Throw m 0.25 - 0.5 m/s	0.6 - 0.3	1.0 - 0.5	1.3 - 0.6	1.6 - 0.8	1.9 - 1.0	2.3 - 1.1	2.6 - 1.3
	Pa	4	10	18	28	40	54	71
	NR	8	19	27	34	39	43	47
200 DIA	L/s	30	40	50	60	70	80	100
	Throw m 0.25 - 0.5 m/s	0.8 - 0.4	1.1 - 0.6	1.4 - 0.7	1.7 - 0.8	2.0 - 1.0	2.2 - 1.1	2.5 - 1.3
	Pa	6	11	17	24	33	43	55
	NR	10	18	25	30	34	38	41
250 DIA	L/s	60	80	100	120	140	160	180
	Throw m 0.25 - 0.5 m/s	1.4 - 0.7	1.8 - 0.9	2.0 - 1.0	2.7 - 1.4	3.2 - 1.6	3.6 - 1.8	4.1 - 2.0
	Pa	10	17	22	39	53	70	88
	NR	16	24	27	35	40	43	47
315 DIA	L/s	80	100	120	150	180	200	220
	Throw m 0.25 - 0.5 m/s	1.7 - 0.9	1.9 - 1.0	2.6 - 1.3	3.2 - 1.6	3.9 - 1.9	4.3 - 2.2	4.1 - 2.1
	Pa	5	7	12	19	27	33	31
	NR	14	17	25	32	37	40	37
350 DIA	L/s	100	125	150	175	200	225	250
	Throw m 0.25 - 0.5 m/s	1.7 - 0.8	2.4 - 1.2	2.8 - 1.4	3.3 - 1.6	3.8 - 1.9	4.2 - 2.1	4.7 - 2.4
	Pa	5	10	15	20	26	33	41
	NR	12	21	27	31	35	38	41
400 DIA	L/s	150	180	200	220	250	280	300
	Throw m 0.25 - 0.5 m/s	2.3 - 1.1	2.7 - 1.4	3.0 - 1.5	3.3 - 1.7	3.8 - 1.9	4.2 - 2.1	4.5 - 2.3
	Pa	7	10	13	16	20	25	29
	NR	22	27	30	32	36	39	41

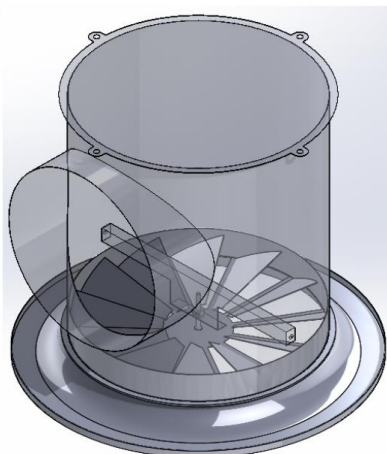
NOTE:

All throws based on terminal velocities of 0.5 - 0.25 m/s

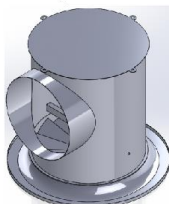
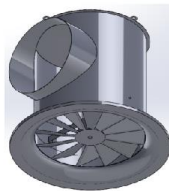
For return air applications multiply Pa x 0.75, NC Levels remain the same

Plenum Box Variations

Fixing Detail



To Suit Neck



To Suit Overall

