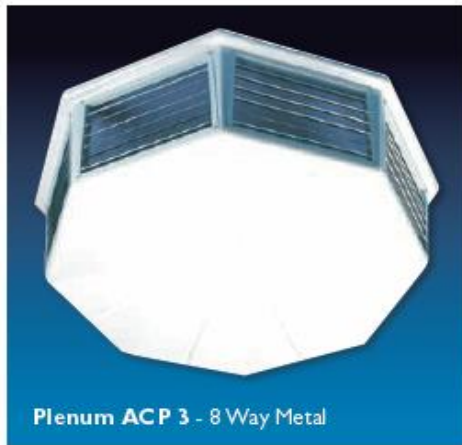


EVAPORATIVE SUPPLY PLENUMS

Model: ACP



Plenum ACP 2 - 4 Way Metal



Plenum ACP 3 - 8 Way Metal

Evaporative Supply Plenums

The Polyaire range of plenums are designed to represent the most efficient method of broad air flow distribution in a wide range of industrial and commercial applications.

For use with evaporative air conditioning systems the Polyaire plenums are easily installed on to a dropper section of corresponding dimension.

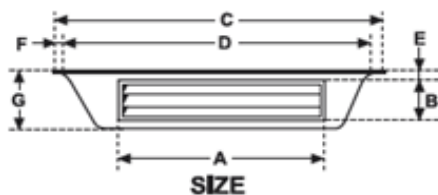
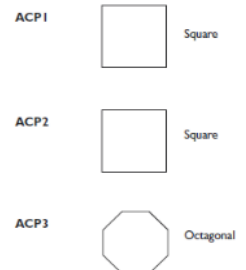
High grade engineering materials are vacume formed to produce a rigid form with an attractive textured finish ensuring long life and serviceability in a wide range of environments and installations.

Fitted with aluminium louvre blades which are fully adjustable permitting for air flow adjustment as required. Polyaire plenums can handle air flow capacity from 9.000m³/h to 18.000m³/h

FEATURES

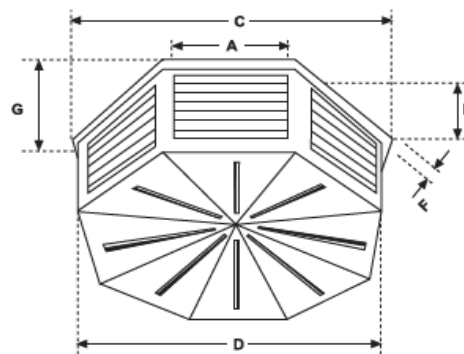
- One piece vacuumed formed
- Aluminium adjustable blades
- Light weight
- Suitable for wet areas
- Excellent air distribution

PLENUM SHAPE



ACP 2 No.2. Up to 14,000 M³/H
ACP 3 No.3. Up to 18,000 M³/H

ACP 2

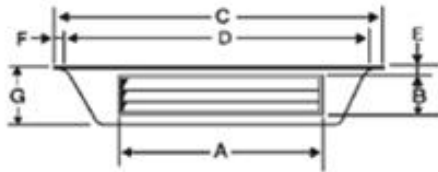


ACP 3

MODEL DIMENSIONS	ACP 2	ACP 3
A	560	350
B	270	240
C	890	1100
D	820	960
E	30	40
F	35	35
G	290	310

EVAPORATIVE SUPPLY PLENUM - Stock Sizes Available		
ITEM #	SIZE mm	PART
242625	ACP2	Plenum
242626	ACP3	Plenum
242625A	ACP2	Plenum Plate
242626B	ACP3	Plenum Plate

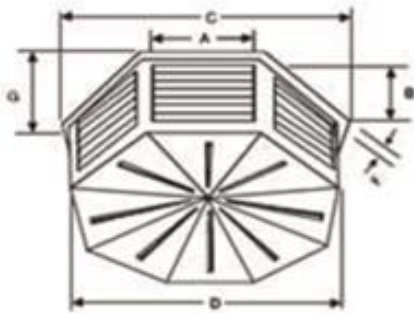
ACP 2 No.2 Size: Up to 3,900 L/S 4 SIDED



ACP2 PLENUM PERFORMANCE Free area 0.52m²

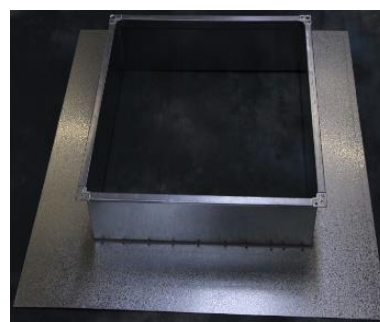
VELOCITY	m/s	VOLUME L/S	PRESSURE Pa	THROW
5.0		2600	35	5
6.5		3380	50	6

ACP 3 No.3 Size: Up to 5,000 L/S 8 SIDED



ACP3 PLENUM PERFORMANCE Free area 0.66m²

VELOCITY	m/s	VOLUME L/S	PRESSURE Pa	THROW
5.0		3300	15	5
6.5		4290	25	6
7.5		4950	35	7



POLYAIRE UK

Units 3 & 4, Torridge Close,
Telford Way Business Park,
Kettering, Northants,
ENGLAND, NN16 8PY
Telephone: 01536 519922
sales@polyaire.co.uk